



### ■ Features

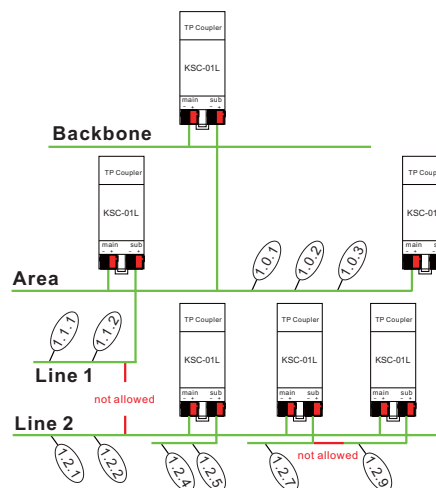
- KNX TP Line coupler/Repeater
- Telegram filtering function
- Long messages support up to 240 byte APDU
- Trace the subline traffic
- Diagnostic functions
- Manual function
- 3 years warranty

### ■ Applications

- Office lighting
- Smart home lighting
- Luxury villas lighting
- LED indoor lighting
- Building automation

### ■ Description

The KNX TP Media Coupler KSC works as a KNX line/area coupler to provide a bi-directional data connection between two KNX TP lines/areas. KNX TP main line and KNX TP subline are coupled having a galvanic isolation in between. Using the TP Coupler application, KSC can be used as a KNX TP line coupler to connect several KNX TP lines but also as a KNX TP area coupler to connect several TP areas or different KNX TP installation systems via a TP Backbone. Telegram filtering is accomplished according to the installation place in the hierarchy and according to the built-in filter tables for group communication. For detailed diagnosis all operational modes/states are shown by a duo-LED display. Using the TP Repeater application, KSC is able to extend a KNX TP line providing unfiltered data transfer and galvanic isolation between segments. Up to four-line segments can form a single KNX TP line by connecting three KSC line repeaters. Each line segment requires its own



### ■ Order Information

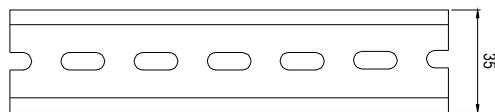
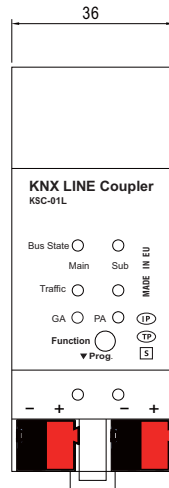
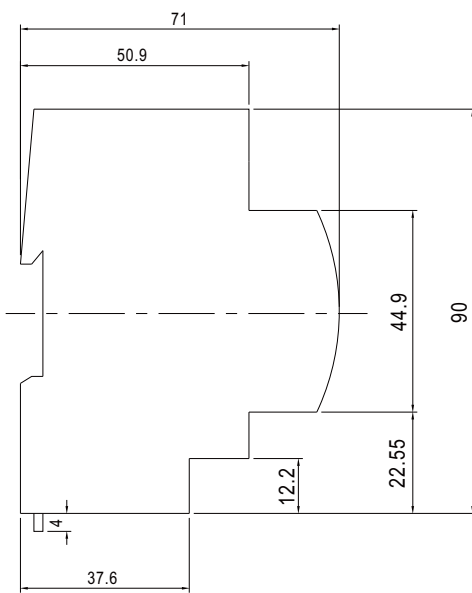
Type	Function	Note
KSC-01L	KNX classic TP Line coupler/Repeater	In Stock
KSC-02L	KNX Secure Line coupler/Repeater	By request

**SPECIFICATION**

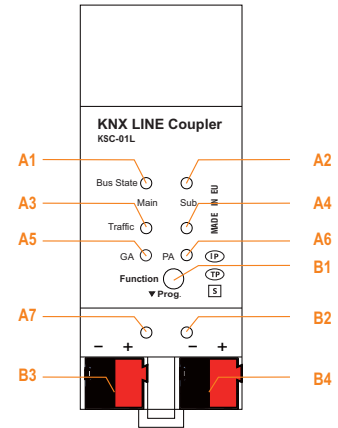
MODEL		KSC series
SUB LINE	INTERFACE	KNX Protocol
	INPUT VOLTAGE	21~30VDC(KNX TP bus)
	LED INDICATOR	Various color see mechanical specification part
MAIN LINE	INTERFACE	KNX Protocol
	INPUT VOLTAGE	21~30VDC(KNX TP bus)
	CURRENT CONSUMPTION	<10mA(KNX mainTP line)
ENVIRONMENT	WORKING TEMP.	-5 ~ +45°C
	WORKING HUMIDITY	20 ~ 90% RH non-condensing
	STORAGE TEMP., HUMIDITY	-20 ~ +60°C, 5 ~ 93% RH non-condensing
	POLLUTION DEGREE	2 according to IEC60664-1
	PROTECTION TYPE	IP20 according to IEC60529
SAFETY & EMC	SAFETY STANDARDS	Compliance to EN60669
	KNX STANDARDS	ISO/IEC 14543-3, EN50090, EN13321-1
	EMC EMISSION	Compliance to EN50491-5, EN61000-6
	EMC IMMUNITY	Compliance to EN61000-4-2,3,4,5,6,11
OTHERS	MTBF	100K hrs min.
	DIMENSION	36*90*71mm (W*H*D)
	DIN RAIL MOUNTING	35 mm rail; 2 units wide
	PACKING	0.066Kg; 5pcs/0.45Kg

**Mechanical Specification**

Case No. Unit:mm



ADMISSIBLE DIN-RAIL: TS35/7.5 OR TS35/15



- A1: Bus state KNX TP (Main line)**  
green: Main line OK  
red: Manual Function active
- A2: Bus state KNX TP (Subline)**  
green: Subline OK
- A3: Telegram traffic KNX TP (Main line)**  
green, blink.: Telegram traffic extent  
red, blink.: Transmission error
- A4: Telegram traffic KNX TP (Subline)**  
green, blink.: Telegram traffic extent  
red, blink.: Transmission error
- A5: Group Address routing**  
green: Filter active  
orange: Route all  
red: Block all  
<off>: Main line / subline different
- A6: Physical Address routing**  
green: Filter active  
orange: Route all  
red: Block all  
<off>: Main line / subline different
- A7: Programming**  
red: Program Mode
- B1: Function button**
- B2: Program button**
- B3: KNX TP connector Main line**
- B4: KNX TP connector Subline**

**Configuration and Commissioning**

The application program(data base) for ETS can be downloaded via  
<http://www.meanwell.com/productCatalog.aspx>

**Installation Manual**

Please refer to : <http://www.meanwell.com/manual.html>