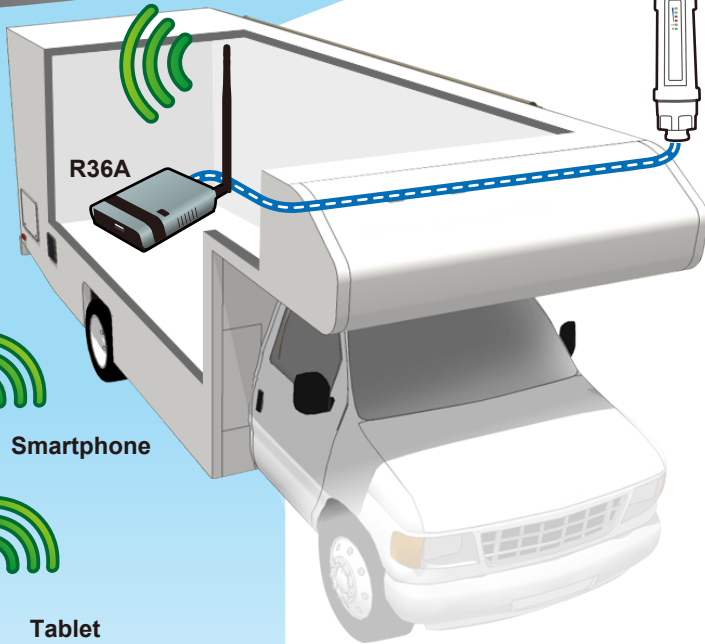


# WiFi-CAMP PRO™ 2

Universal WiFi / Internet range extender kit for home, boat, RV



Tube-UN



WiFi hotspot



User-friendly web setup



Solution for Boat & RV



Vehicle Surge Protection

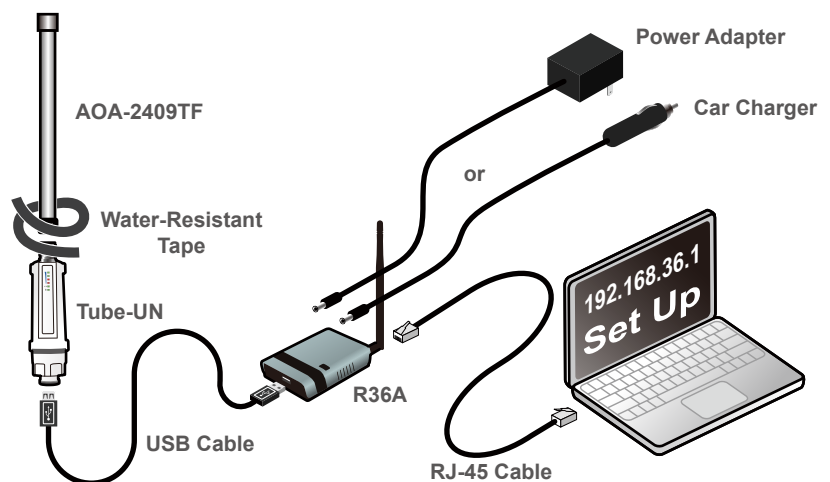


Improved throughput



Extend WiFi hotspot signal and share

## Installation Diagram



## R36A Specifications

Wi-Fi Standard	IEEE 802.11n IEEE 802.11g IEEE 802.11b	Wireless LAN Security Key	64/128bit WEP WPA -PSK WPA -EAP (PEAP/TTLS) WPA2 -PSK WPA2 -EAP WPA Mixed 802.1x authentication
Frequency	2.142GHz – 2.472GHz	Operation Temperature	-20°C ~ 40 °C
Channel Width	20/40MHz	Storage Humidity	10% ~ 90% (Non-condensing)
Data Rate	802.11b: up to 11Mbps 802.11g: upto 54Mbps 802.11n: up to 300Mbps	Dimension(mm)	93x70x26 mm
Antenna	1x internal 1x external	Weight	74g
LED Indicators	Power, LAN, WAN, WLAN, USB		
Power requirement	12V DC		

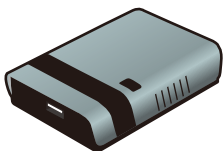
## Tube-UN Specifications

Wi-Fi Standard	IEEE 802.11n IEEE 802.11g IEEE 802.11b
Frequency	2.412GHz ~ 2.472GHz
Channel Width	20/40MHz
Antenna connector	N male
Interface	USB 2.0 type-A male
LED Indicators	PWR, LINK
Power required	5V±5%

## Antenna Specifications

Outdoor Antenna	Model: AOA-2409TF Frequency: 2.4GHz-2.5GHz Impedance: 50Ω S.W.R: ≤ 2.0 Gain: 9dBi Radiation: Omni Connector N female Material: Fiber Glass Length: 460mm
Indoor Antenna	Model: ARS-N05 Frequency: 2.4GHz-2.5GHz Impedance: 50Ω S.W.R: ≤ 2.0 Gain: 5dBi Radiation: Omni Connector: RP-SMA male Material: Rubber Length: 171.5mm

## Package contents



R36A



Tube-UN



ARS-N05



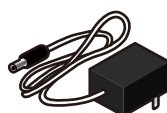
AOA-2409TF



DC12V  
Cigarette Adapter



5 meters  
USB Cable



DC12V  
Power Adapter



Weather-Resistant  
Tape