

APA-L5814

5.1~5.9GHz Wide Band Directional Panel Antenna 14dBi

APA-L5814 antennas are professionally engineered and manufactured with the highest industry quality at the lowest possible price providing extreme value.

APA-L5814 is designed for the 5.8GHz ISM band, supporting 5.1 to 5.9 GHz and provides superb performance in IEEE 802.11a WiFi applications.

APA-L5814 includes mounting bracket and hardware for up to 2" OD masts. Made with fiberglass



Applications:

5.1 - 5.9 GHz ISM Band
5.3 GHz Band Applications
5.4 GHz Band Applications
5.8GHz UNII applications
IEEE 802.11a Wireless LAN
Unlicensed European 5.4 GHz Band Applications
WiMAX Technology
5.8 GHz Wireless Video Systems

Features :

Superior performance
Light weight
All weather operation
DC Short lightning protection
Installed for vertical
Includes tilt and swivel mast mount
Frequency Ultra-wide
Can be installed for either vertical or horizontal polarization
RoHS Compliant

| | |
|---|-------------------------------|
| Model | APA-L5814 |
| Frequency | 5.1-5.9GHz |
| VSWR | ≤ 1.5 |
| Gain | 14dBi |
| Polarization | Vertical or Horizontal |
| Power Handling | 50 Watts |
| Impedance | 50 Ω |
| Beam Width | H: 34° / V: 29° |
| Connector | N Female |
| Operation Temp | -40°C ~ +80°C |
| Dimension | 120*120 mm |
| Mounting | 32 ~ 45 mm (1.2 ~1.75 inch) |
| Weight (&Mounting Bracket max) | 400g |

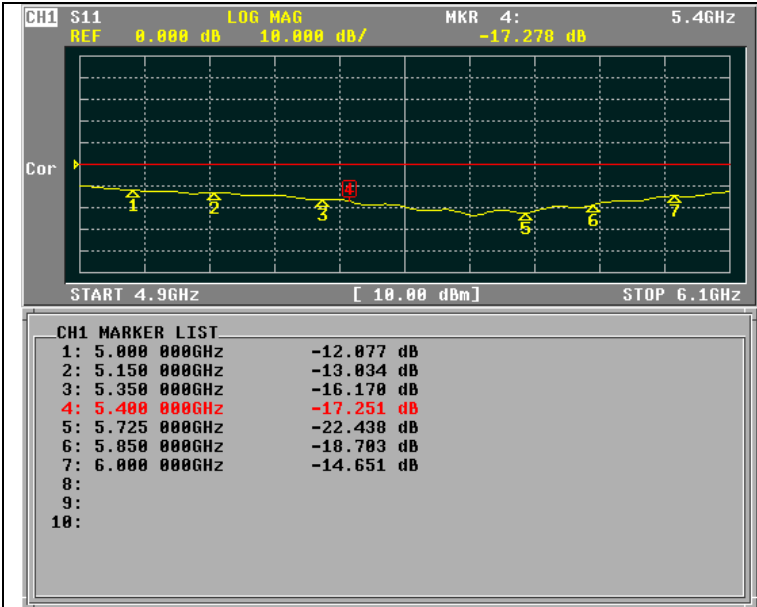
For further details:

Alfa Network Inc.,
4F-1 No. 106, Rueiguang Rd.,
Neihu District,
Taipei City, Taiwan.
<http://www.alfa.com.tw>
sales@alfa.com.tw
Tel:+886-2-27968477
Fax:+886-2-27968478

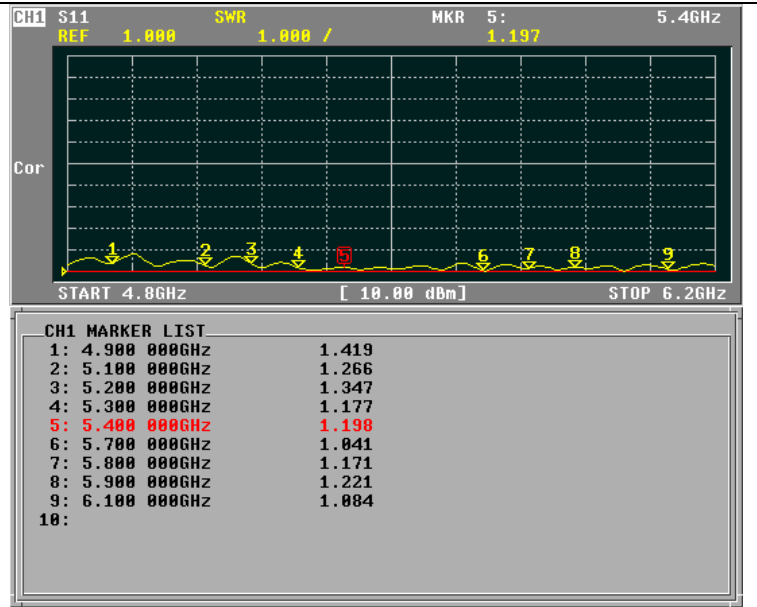
APA-L5814

5.1~5.9GHz Wide Band Directional Panel Antenna 14dBi

Network Analyzer Test Report



Return loss

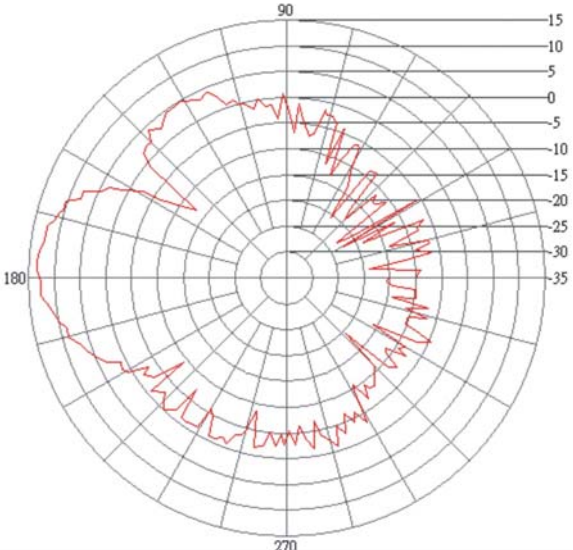
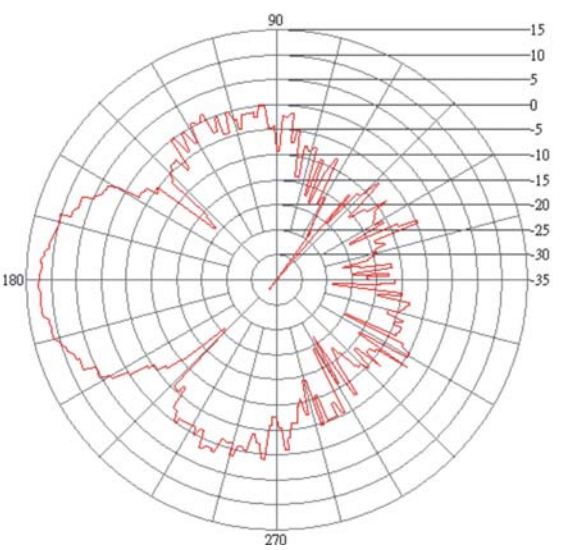


V.S.W.R

APA-L5814

5.1~5.9GHz Wide Band Directional Panel Antenna 14dBi

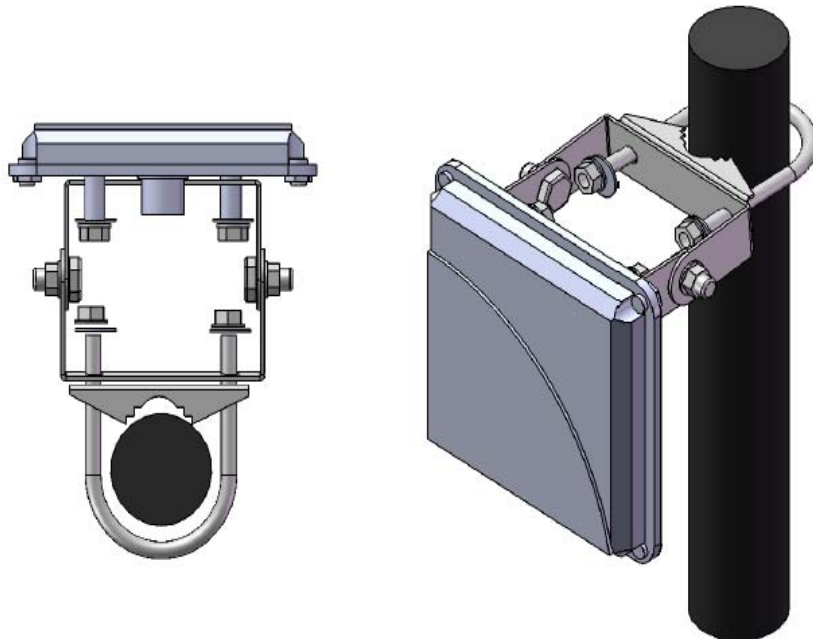
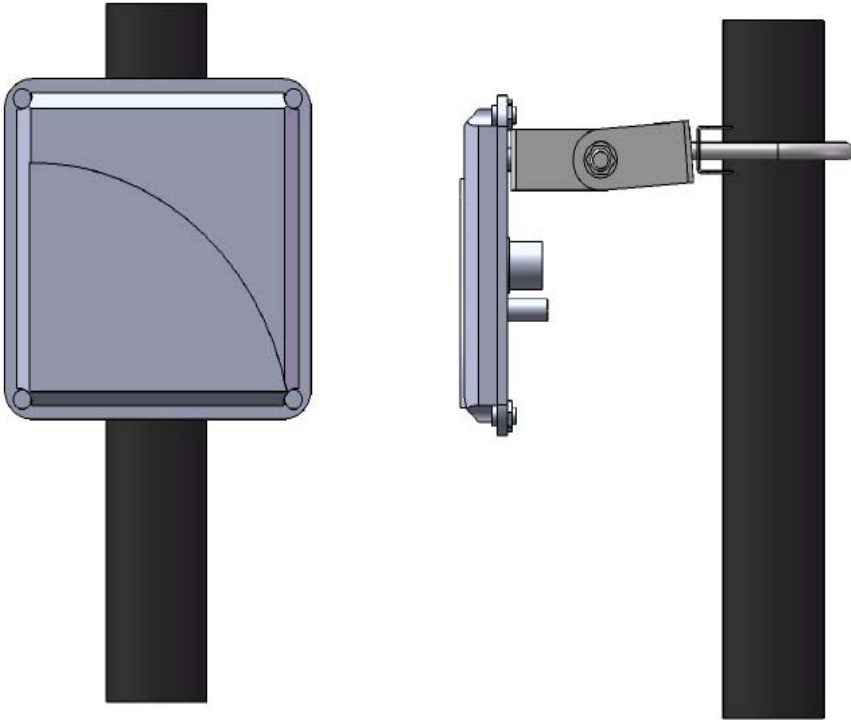
RF Chamber Test Report Frequency: 5.1 ~ 5.9GHz

| | |
|---|--|
| Frequency:5.1-5.9Ghz | |
| E-plane co-pol ----- 3-dB beam-with=29 Deg | H-plane co-pol ----- 3-dB beam-with=34 Deg |
|  A polar plot showing the vertical radiation pattern. The plot is circular with concentric grid lines representing gain in dB, ranging from -35 to 15. Radial lines represent angles from 0 to 360 degrees, with labels at 90, 180, and 270. A red line traces the radiation pattern, showing a main lobe centered at 0 degrees with a 3-dB beam width of 29 degrees. The gain is approximately 14 dB at the center of the main lobe. |  A polar plot showing the horizontal radiation pattern. The plot is circular with concentric grid lines representing gain in dB, ranging from -35 to 15. Radial lines represent angles from 0 to 360 degrees, with labels at 90, 180, and 270. A red line traces the radiation pattern, showing a main lobe centered at 0 degrees with a 3-dB beam width of 34 degrees. The gain is approximately 14 dB at the center of the main lobe. |
| Vertical Pattern | Horizontal Pattern |

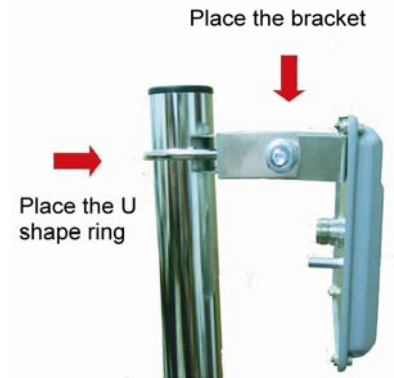
APA-L5814

5.1~5.9GHz Wide Band Directional Panel Antenna 14dBi

Mounting Kits Install Guide



1.



2.



3.

Finish

